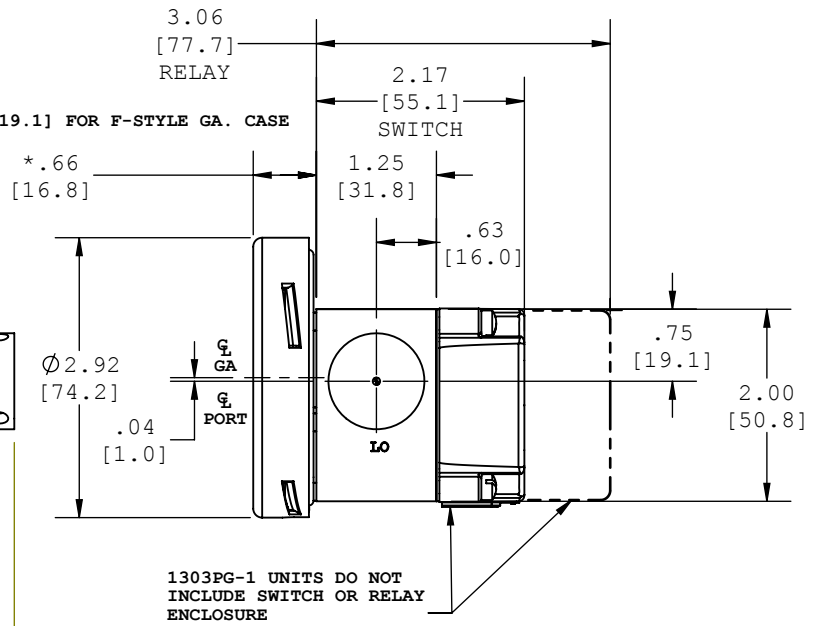
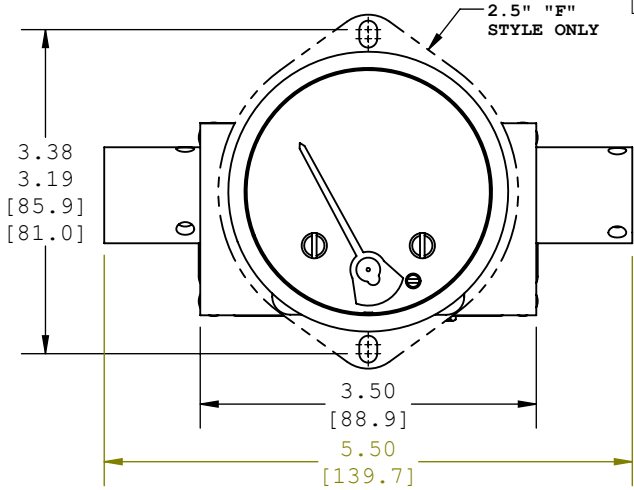


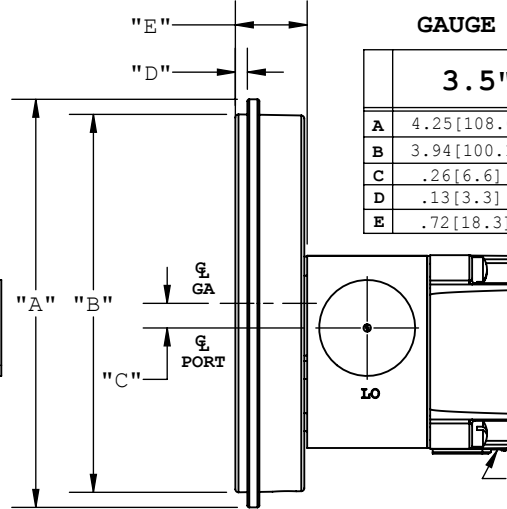
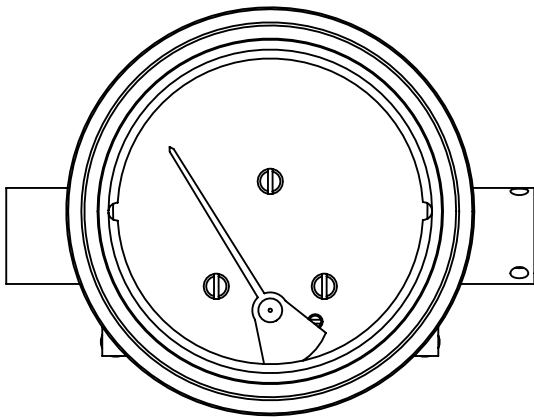
1303PG-1, PGS-1, PGS-1-R2 & PGT-T2 MODELS

1303PGS-1 MODEL

2.5" B & F-STYLE GAUGE CASE



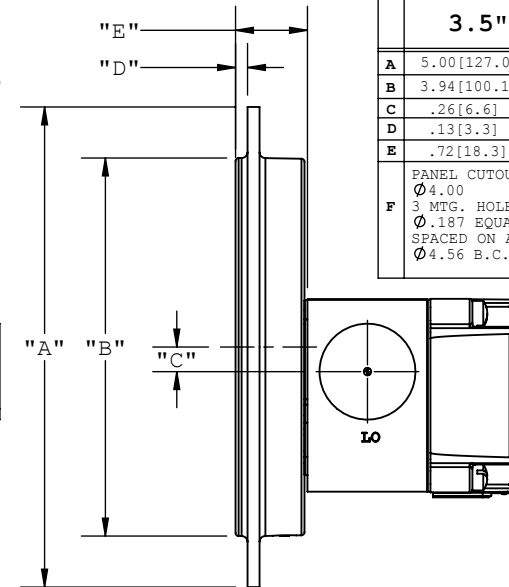
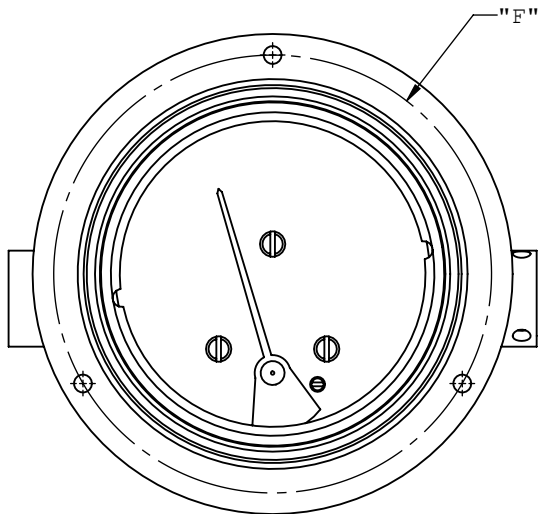
with B-STYLE GAUGE CASE



GAUGE CASE SIZES & DIMENSIONS

	3.5"	4.5"	6.0"
A	4.25[108.0]	5.25[133.4]	6.40[162.6]
B	3.94[100.1]	4.94[125.5]	5.89[149.6]
C	.26[6.6]	.63[16.0]	1.35[34.3]
D	.13[3.3]	.13[3.3]	.39[9.9]
E	.72[18.3]	.72[18.3]	.85[21.6]

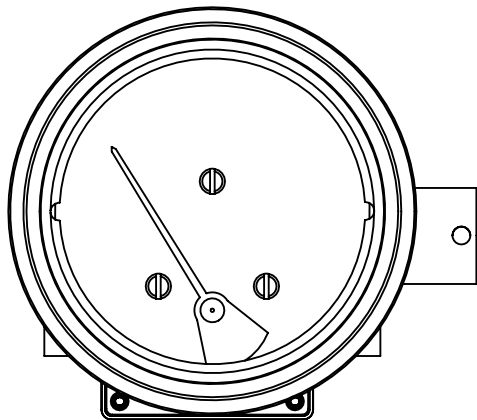
with F-STYLE GAUGE CASE



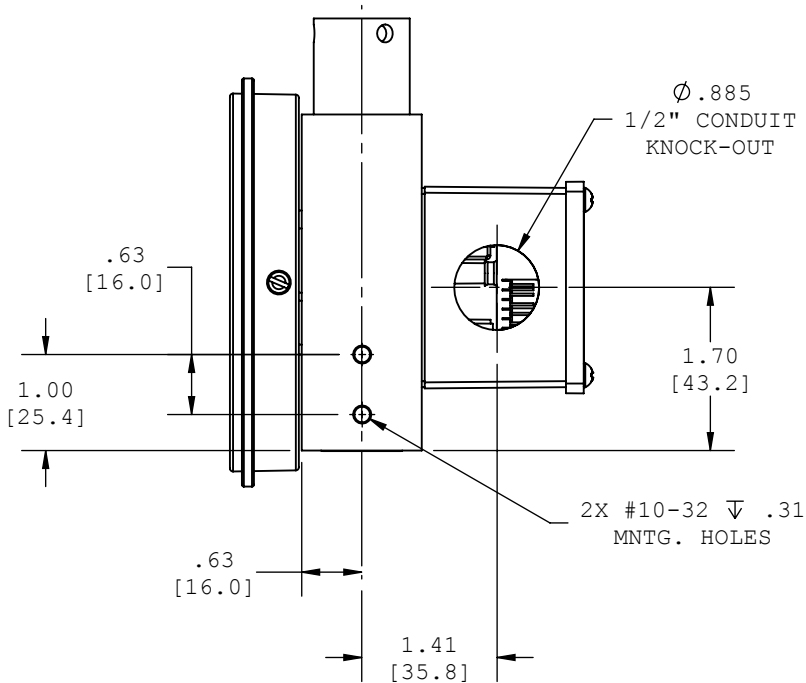
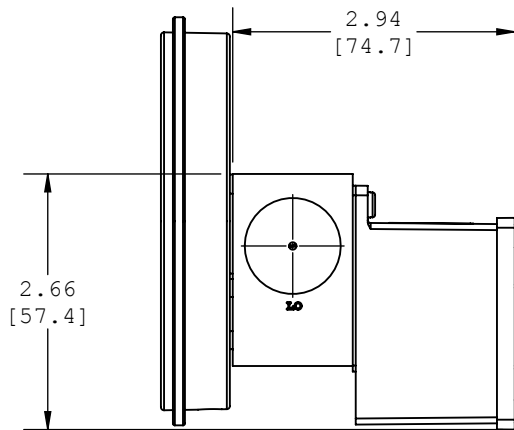
GAUGE CASE SIZES & DIMENSIONS

	3.5"	4.5"	6.0"
A	5.00[127.0]	6.00[152.4]	7.62[193.5]
B	3.94[100.1]	4.94[125.5]	6.40[162.6]
C	.26[6.6]	.63[16.0]	1.35[34.3]
D	.13[3.3]	.13[3.3]	.39[9.9]
E	.72[18.3]	.72[18.3]	.85[21.6]
F	PANEL CUTOUT: Ø4.00 3 MTG. HOLES Ø.187 EQUALLY SPACED ON A Ø4.56 B.C.	PANEL CUTOUT: Ø5.00 3 MTG. HOLES Ø.218 EQUALLY SPACED ON A Ø5.38 B.C.	PANEL CUTOUT: Ø6.50 3 MTG. HOLES Ø.218 EQUALLY SPACED ON A Ø7.00 B.C.

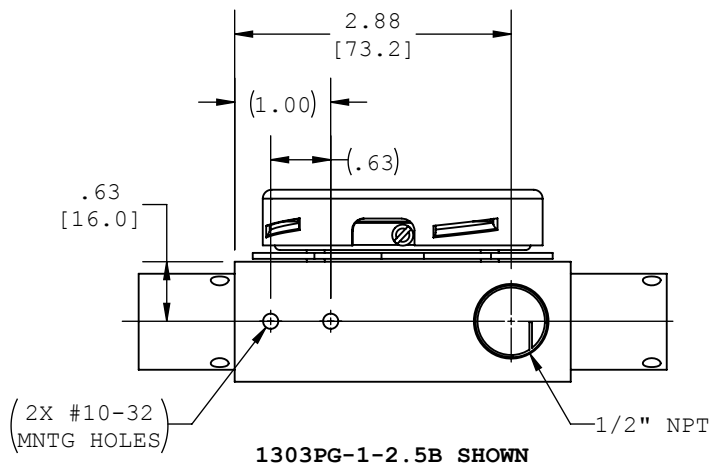
-T2 MODEL



3.5 B-STYLE GA. CASE SHOWN



BOTTOM VIEW ON ALL UNITS EXCLUDING -T2



1303PG-1-2.5B SHOWN